

**FEATURES**

- RoHS compliant
- Industry standard footprint
- Single isolated output
- Short circuit protection
- Operating temperature range -40°C to +85°C
- Low profile 24 pin case
- 2:1 Wide input range
- 5V, 12V, 24V & 48V Input
- 3.3V, 5V, 12V & 15V Output
- Footprint 4.73cm<sup>2</sup>
- UL94V-0 Package materials
- No heatsink required
- Internal SMD construction
- Fully encapsulated

**DESCRIPTION**

The NDTS series is a range of low profile DC/DC converters offering a single regulated output over a 2:1 input voltage range. All parts deliver 3W output power up to 85°C without heatsinking. A flyback oscillator design with isolated feedback is used to give regulation over the full operating range of 25% to 100% of full load. It is strongly recommended that external capacitors be used on input and output to guarantee performance over full load and input voltage range (see recommended filter circuit for values).

SELECTION GUIDE								
Order Code	Input Voltage V (NOM.)	Rated Output Voltage V	Output Current		Input Current mA	Efficiency (MIN.) %	Isolation Capacitance pF	MTTF <sup>2</sup> kHrs
			MIN. Load mA	Full Load mA				
NDTS0503C	5	3.3	227	909	898	63	28	
NDTS0505C	5	5	150	600	806	71	30	
NDTS0512C	5	12	63	250	769	76	32	
NDTS0515C	5	15	50	200	757	77	33	
NDTS1203C	12	3.3	227	909	350	71	29	
NDTS1205C	12	5	150	600	320	73	32	
NDTS1212C	12	12	63	250	310	75	35	
NDTS1215C	12	15	50	200	310	76	32	
NDTS2403C	24	3.3	227	909	172	71	32	1671
NDTS2405C	24	5	150	600	156	78	32	1673
NDTS2412C	24	12	63	250	149	80	35	1650
NDTS2415C	24	15	50	200	147	84	35	1617
NDTS4803C	48	3.3	227	909	87	71	32	1676
NDTS4805C	48	5	150	600	83	75	32	1668
NDTS4812C	48	12	63	250	76	80	40	1631
NDTS4815C	48	15	50	200	75	80	40	1600

INPUT CHARACTERISTICS						
Parameter	Conditions	MIN.	TYP.	MAX.	Units	
Voltage range	All NDTS05 types	4.5	5	9	V	
	All NDTS12 types	9	12	18		
	All NDTS24 types	18	24	36		
	All NDTS48 types	36	48	72		
Reflected ripple current <sup>1</sup>	All NDTS05 types		50	150	mA p-p	
	All NDTS12 types		30	100		
	All NDTS24 types		40	50		
	All NDTS48 types		30	40		

OUTPUT CHARACTERISTICS						
Parameter	Conditions	MIN.	TYP.	MAX.	Units	
Voltage set point accuracy	With external input/output capacitors		±1	±3	%	
Line regulation	Low line to high line with external input/output capacitors		0.15	0.5	%	
Load regulation	Minimum load to rated load with external input/output capacitors	0503, 0505, 1203, 1205	0.8	1.0	%	
		2403, 2405, 4803, 4805	0.8	1.2		
		12V & 15V outputs	0.1	0.5		
Ripple	BW = 20Hz to 300kHz with external input/output capacitors		15	40	mV rms	
Ripple & noise	BW = DC to 20MHz with external input/output capacitors		90	150	mV p-p	

ABSOLUTE MAXIMUM RATINGS	
Short-circuit protection	Continuous
Lead temperature 1.5mm from case for 10 seconds	300°C
Minimum output load for specification <sup>3</sup>	25% of rated output
Input voltage 05 types	10V
Input voltage 12 types	20V
Input voltage 24 types	40V
Input voltage 48 types	80V
Free air space	10mm MIN. around component

1. Please refer to selected ripple current measurement circuit on page 2.  
 2. Calculated using MIL-HDBK-217F with nominal input voltage at full load (ground benign) at 25°C.  
 3. Please refer to output load application note on page 3.  
 All specifications typical at T<sub>A</sub>=25°C, nominal input voltage and rated output current unless otherwise specified.



GENERAL CHARACTERISTICS					
Parameter	Conditions	MIN.	TYP.	MAX.	Units
Switching frequency	100% to 25% load, $V_{IN}$ MIN. to MAX.	70		650	kHz

ISOLATION CHARACTERISTICS					
Parameter	Conditions	MIN.	TYP.	MAX.	Units
Isolation voltage	Flash tested for 1 second	1000			VDC
Resistance	Resistance	1			$\Omega$

TEMPERATURE CHARACTERISTICS					
Parameter	Conditions	MIN.	TYP.	MAX.	Units
Operation		-40		85	°C
Storage		-50		130	
Case temperature rise above ambient in still air	NDTS0515C, NDTS1205C, NDTS1212C, NDTS1215C, NDTS2405C, NDTS2412C, NDTS2415C, NDTS4812C & NDTS4815C		30		
	NDTS0505C, NDTS0512C, NDTS1203C, NDTS2403C, NDTS4803C & NDTS4805C		40		
	NDTS0503C		50		

**TECHNICAL NOTES**

**ISOLATION VOLTAGE**

'Hi Pot Test', 'Flash Tested', 'Withstand Voltage', 'Proof Voltage', 'Dielectric Withstand Voltage' & 'Isolation Test Voltage' are all terms that relate to the same thing, a test voltage, applied for a specified time, across a component designed to provide electrical isolation, to verify the integrity of that isolation.

C&D Technologies NDTS series of DC/DC converters are all 100% production tested at their stated isolation voltage. This is 1kVDC for 1 second.

A question commonly asked is, "What is the continuous voltage that can be applied across the part in normal operation?"


For a part holding no specific agency approvals, such as the NDTS series, both input and output should normally be maintained within SELV limits i.e. less than 42.4V peak, or 60VDC. The isolation test voltage represents a measure of immunity to transient voltages and the part should never be used as an element of a safety isolation system. The part could be expected to function correctly with several hundred volts offset applied continuously across the isolation barrier; but then the circuitry on both sides of the barrier must be regarded as operating at an unsafe voltage and further isolation/insulation systems must form a barrier between these circuits and any user-accessible circuitry according to safety standard requirements.

**REPEATED HIGH-VOLTAGE ISOLATION TESTING**

It is well known that repeated high-voltage isolation testing of a barrier component can actually degrade isolation capability, to a lesser or greater degree depending on materials, construction and environment. The NDTS series has an EI ferrite core, with no additional insulation between primary and secondary windings of enameled wire. While parts can be expected to withstand several times the stated test voltage, the isolation capability does depend on the wire insulation. Any material, including this enamel (typically polyurethane) is susceptible to eventual chemical degradation when subject to very high applied voltages thus implying that the number of tests should be strictly limited. We therefore strongly advise against repeated high voltage isolation testing, but if it is absolutely required, that the voltage be reduced by 20% from specified test voltage.

This consideration equally applies to agency recognized parts rated for better than functional isolation where the wire enamel insulation is always supplemented by a further insulation system of physical spacing or barriers.

**RoHS COMPLIANCE INFORMATION**



This series is compatible with RoHS soldering systems with a peak wave solder temperature of 300°C for 10 seconds. The pin termination finish on this product series is Tin. The series is backward compatible with Sn/Pb soldering systems.

For further information, please visit [www.cd4power.com/rohs](http://www.cd4power.com/rohs)

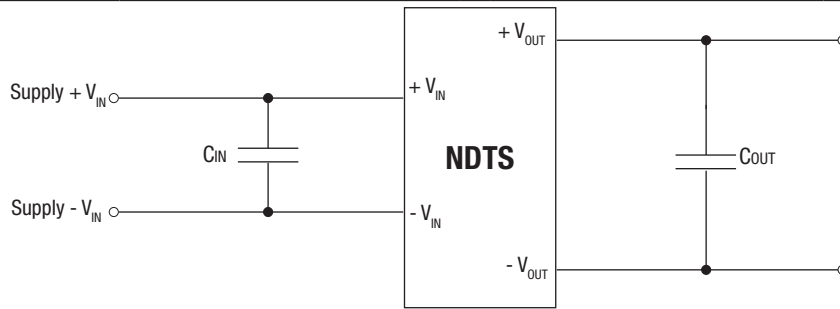
**APPLICATION NOTES**

**Recommended Input & Output Capacitors**

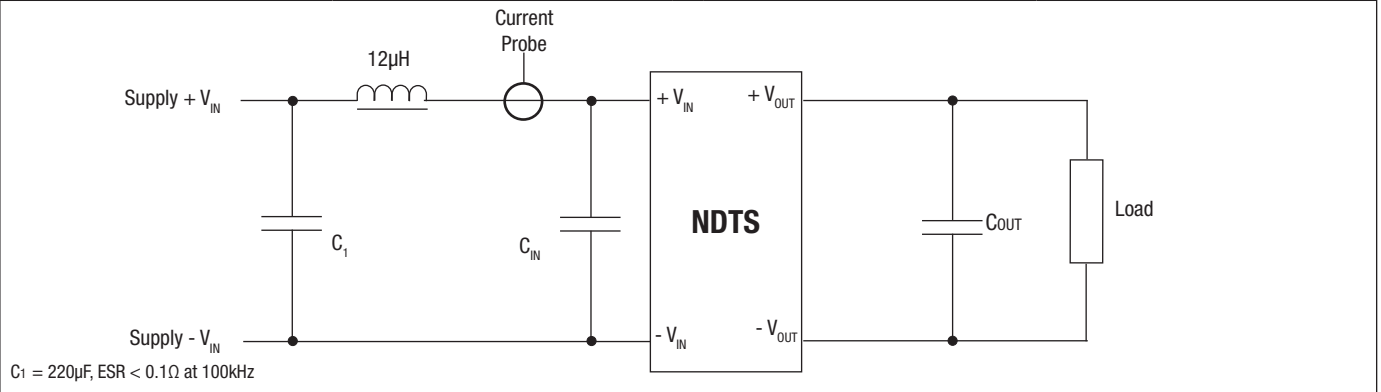
Although these converters will work without external capacitors, they are necessary in order to guarantee the full parametric performance over the full line and load range. All parts have been tested and characterized using the following values and test circuit.

Input Voltage	C <sub>IN</sub>	Output Voltage	C <sub>OUT</sub>
5V, 12V	100µF, 25V (0.25Ω at 100kHz)	3.3V, 5V	220µF, 16V (0.12Ω at 100kHz)
24V, 48V	10µF, 100V (1.5Ω at 100kHz)	12V, 15V	100µF, 25V (0.25Ω at 100kHz)

**Test circuit**



**Reflected Ripple Current Measurement**

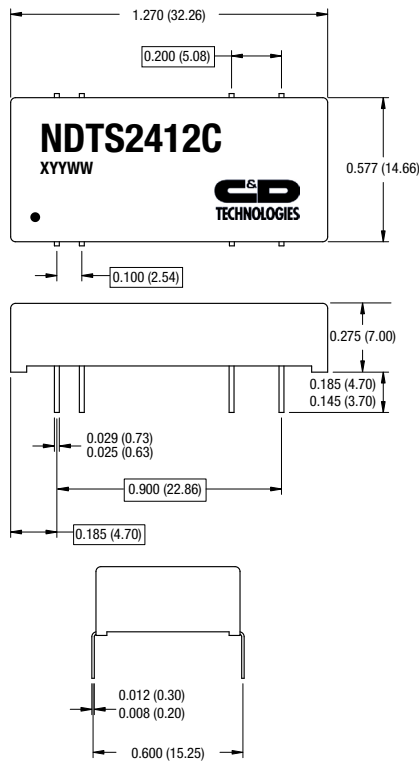


**OUTPUT LOAD**

The minimum load for correct operation is 25% of the full rated load across the specified input voltage range. Lower loads may cause a significant increase in output ripple and may cause the output voltage to exceed its specification transiently during power-down when the input voltage also falls below its rated minimum.

**PACKAGE SPECIFICATIONS**

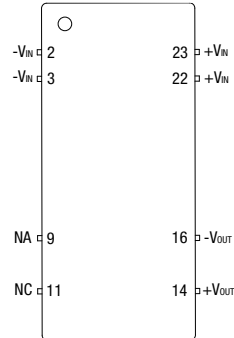
**MECHANICAL DIMENSIONS**



Weight: 6.2g

All dimensions in inches  $\pm 0.01$  (mm  $\pm 0.25$ mm). All pins on a 0.1 (2.54) pitch and within  $\pm 0.01$  (0.25) of true position.

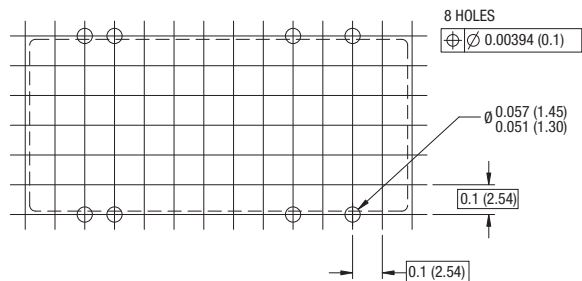
**PIN CONNECTIONS**



Pin	Function
2	-VIN
3	-VIN
9	NA
11	NC
14	+VOUT
16	-VOUT
22	+VIN
23	+VIN

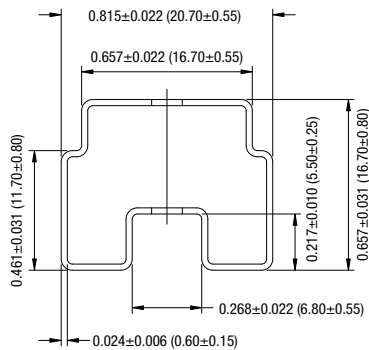
NA - Not available for electrical connection.  
NC - No internal connection.

**RECOMMENDED FOOTPRINT DETAILS**



All dimensions in inches  $\pm 0.01$  (mm  $\pm 0.25$ mm). All pins on a 0.1 (2.54) pitch and within  $\pm 0.01$  (0.25) of true position.

**TUBE OUTLINE DIMENSIONS**



All dimensions in inches  $\pm 0.01$  (mm  $\pm 0.5$ mm).  
Tube length : 20.47  $\pm$  0.079 (520mm  $\pm$  2mm).

Tube Quantity : 15